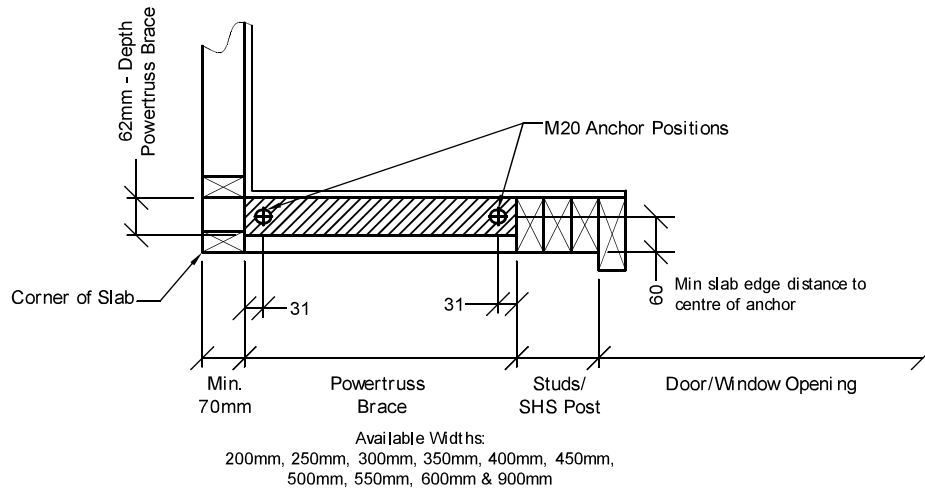
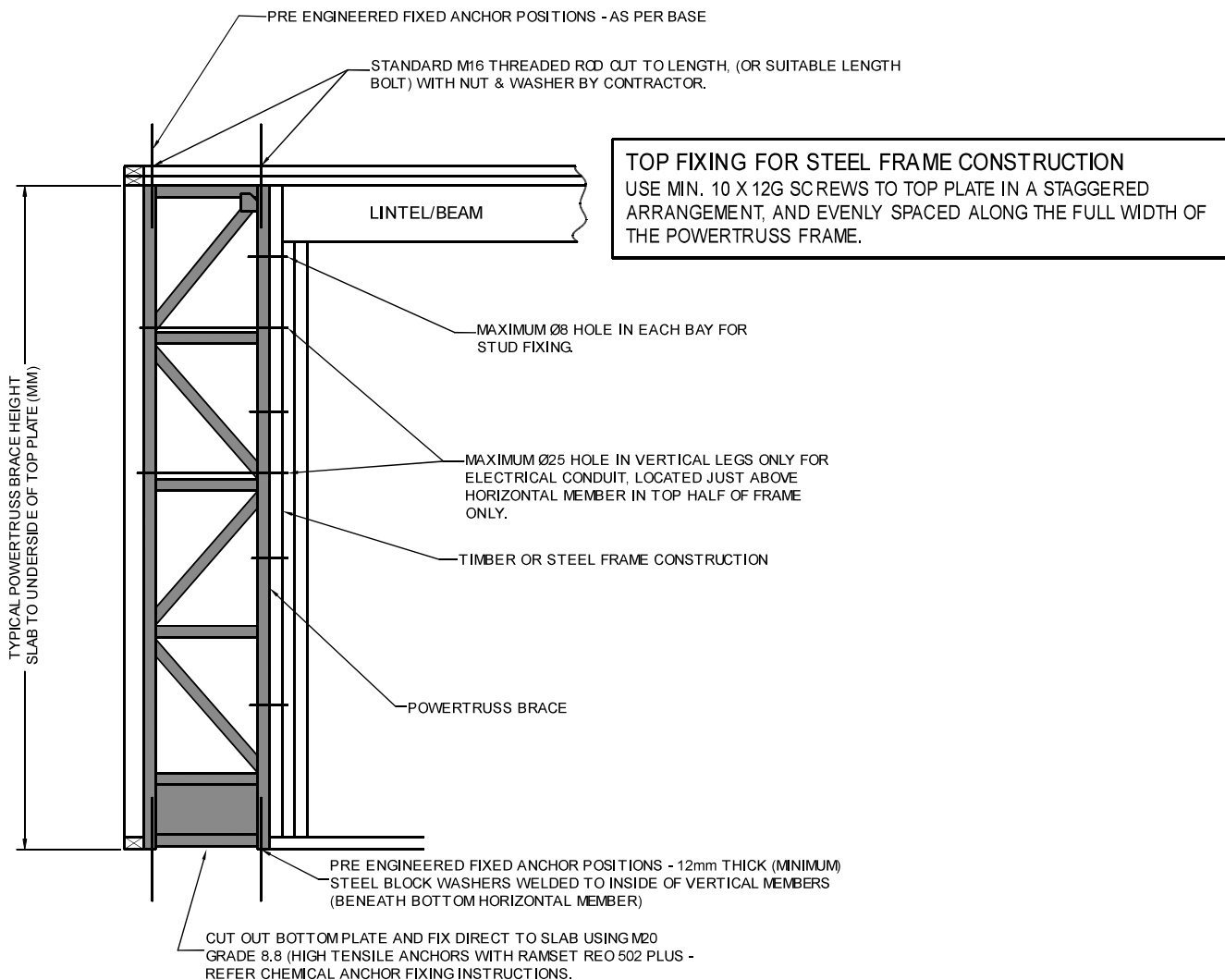


POWERTRUSS BRACE - LATERAL BRACING FRAME INSTALLATION



Minimum allowable distance = 70mm from corner of slab to start of Powertruss Frame



PLEASE ADVISE FINISHED HEIGHT AND WIDTH FOR EACH BRACE REQUIRED

POWERTRUSS WALL BRACING SYSTEM

Queensland (Head Office)
175 Railway Pde
THORNESIDE, QLD. 4158
Phone: (07) 3245 4930
Email: chris@powertruss.com.au

New South Wales
2/62 Belmore Road
RIVERWOOD, NSW 2210
Phone: 0410 783 191
Email: nsw@powertruss.com.au

Victoria
16 Gaine Road
DANDENONG SOUTH, VIC. 3175
Phone: (03) 9799 9122
Email: alex@powertruss.com.au