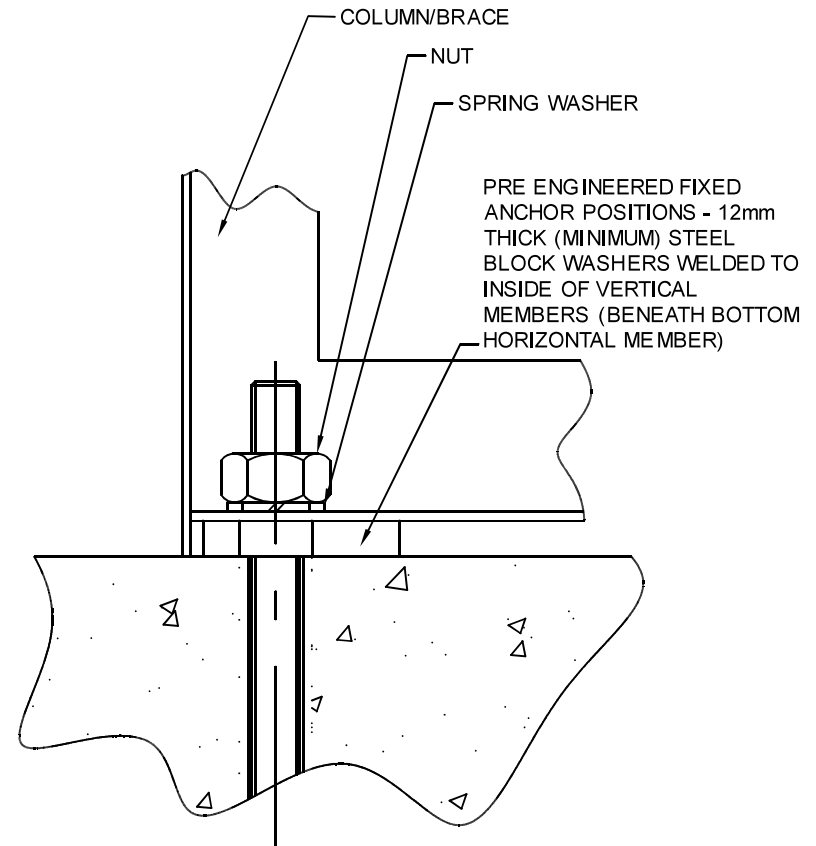
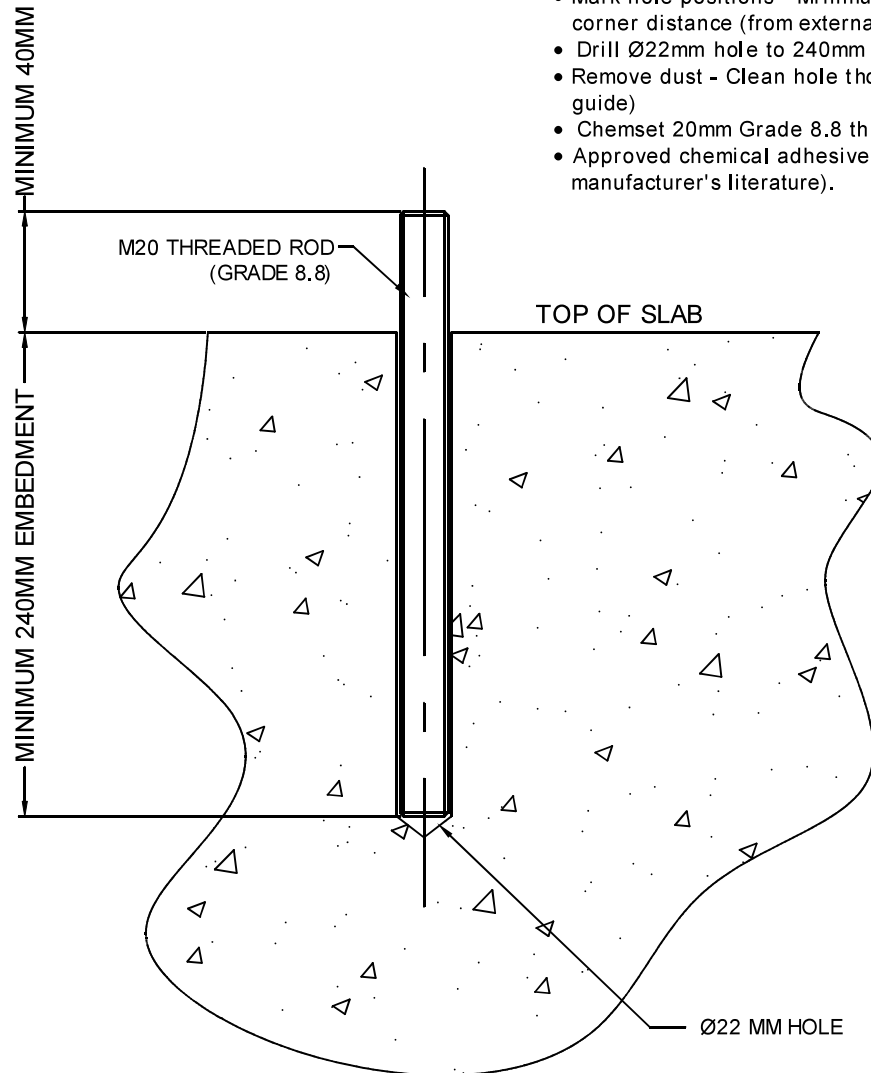


POWERTRUSS CHEMICAL ANCHOR INSTALLATION INSTRUCTIONS (20MM)

- Mark hole positions - Minimum 60mm edge distance (face of slab to centre of bolt), & minimum 101mm corner distance (from external corner of slab to centre of bolt).
- Drill $\varnothing 22$ mm hole to 240mm minimum depth.
- Remove dust - Clean hole thoroughly with brush & air pump twice (refer Ramset Reo502 PLUS installation guide)
- Chemset 20mm Grade 8.8 threaded rod and allow to set before tightening.
- Approved chemical adhesive to suit load capacities is Ramset Reo502 PLUS (refer to chemical adhesive manufacturer's literature).



POWERTRUSS WALL BRACING SYSTEM

Queensland (Head Office)

175 Railway Pde
THORNESIDE, QLD. 4158
Phone: (07) 3245 4930
Email: chris@powertruss.com.au

New South Wales

2/62 Belmore Road
RIVERWOOD, NSW 2210
Phone: 0410 783 191
Email: nsw@powertruss.com.au

Victoria

16 Gaine Road
DANDENONG SOUTH, VIC. 3175
Phone: (03) 9799 9122
Email: alex@powertruss.com.au